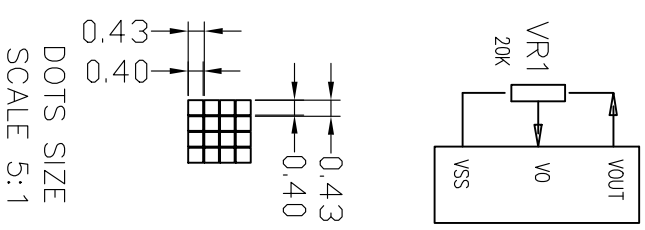
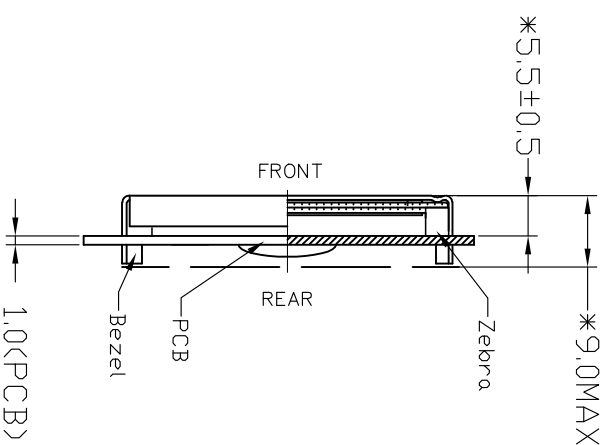
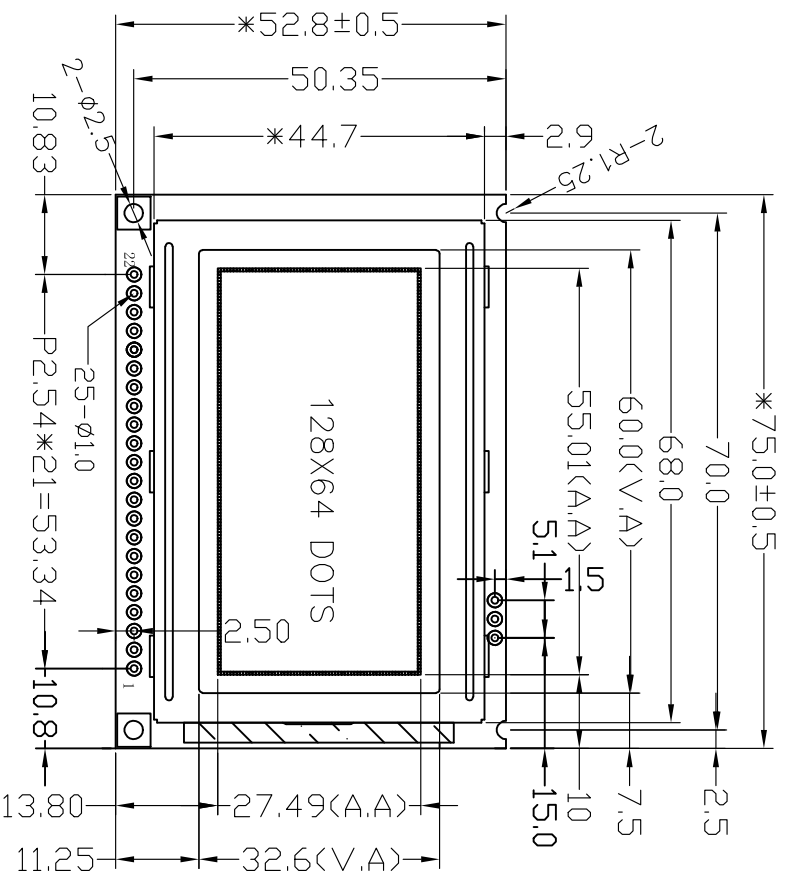


Customer approval :



PSB=P, H 并口模式
PSB=S, L 串口模式

PIN	1	2	3	4	5	6	7~14	15	16	17	18	19	20	21	22
parallel port	VSS	VDD	V0	RS	R/W	E	DB0~DB7	BLA	BLK	/RST	Vout	PSB	NC	BLA	BLK
serial port	VSS	VDD	V0	CS	SID	SCLK	NC	BLA	BLK	/RST	Vout	PSB	NC	BLA	BLK

PCB上 P or S=PSB, 19PIN=NC BLA, K选择使用
PCB上 VR1=20K, 3, 18PIN=NC

- SPECIFICATION:
- 1). Driving: Duty:1/64, Bias:1/9, Vo:4.9V, Vout:5.0or9.2V, Vdd:5.0V
 - 2). Viewing angle: 6 O'Clock
 - 3). Display mode: STN/Blue/Negative/Transmissive
 - 4). Operating temp: -10°C~+60°C
 - 5). Storage temp: -20°C~+70°C
 - 6). Controller IC: AIP31020orST7920 (or compatible)
 - 7). Backlight: Edge(White), Vbla:5.0V,Vblk:0V Iled≤60mA
 - 8). Dimensions with mark "*" are important, with mark "(")" are referenced
 - 9). All the raw materials are RoHS compliant

REV	REVISION RECORD	DATE	MODEL NO.	APPROVED BY	CHECKED BY	DRAWING BY	PAGE?	PROJECTION	UNIT: mm
A0	First issue		SYB12864DKV20-5C11BLN2R-BSNG			Jequill			
					深圳市三元晶科技有限公司 ShenZhen TCC LCD Hi-Tech Co., Ltd.				
							GENERAL TOL: ± 0.3		