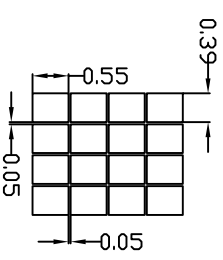
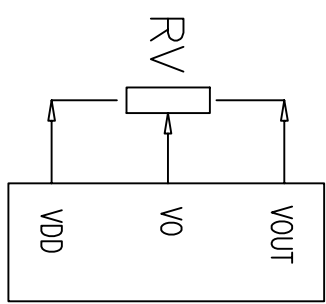
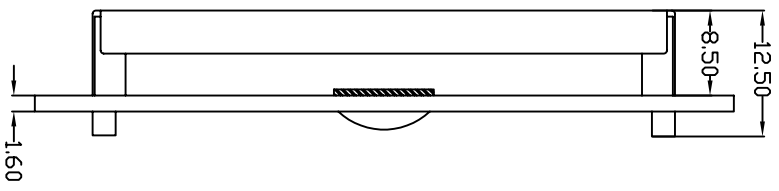
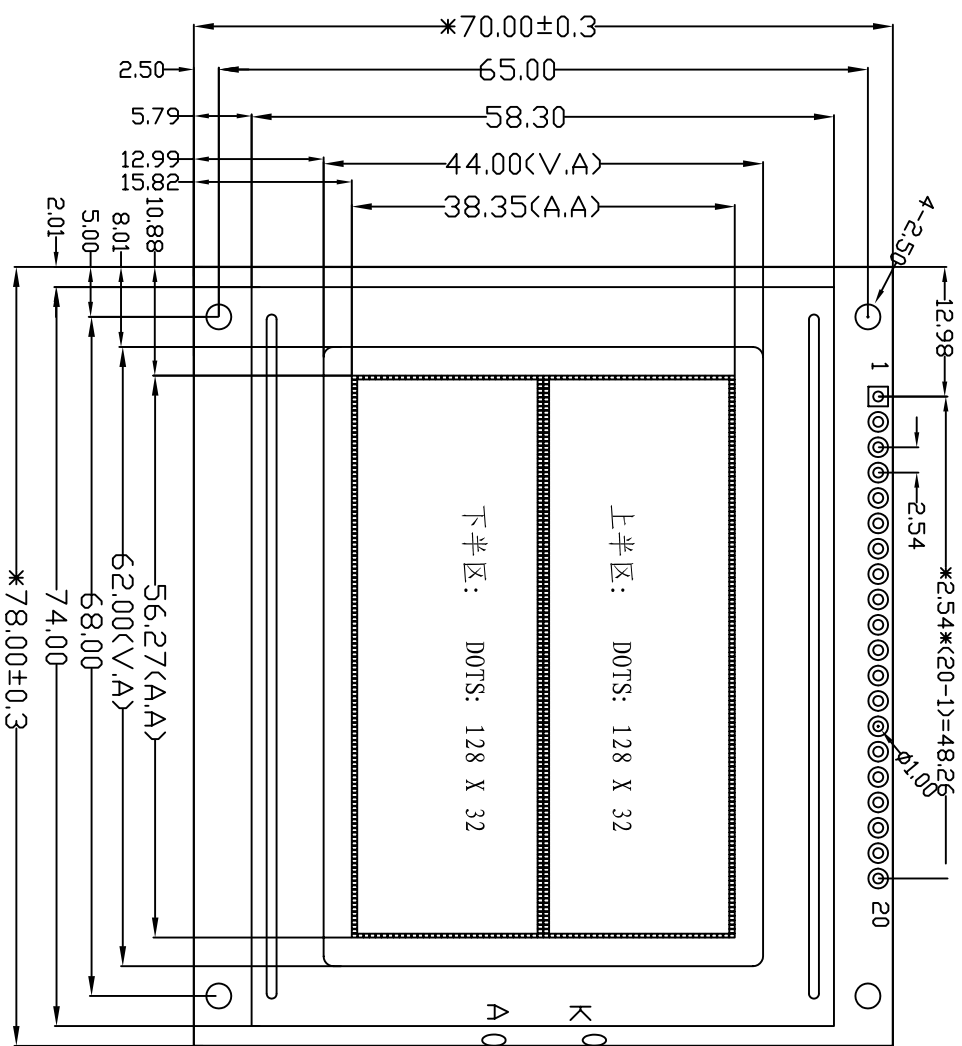


Customer approval :



Specification:

- 1). Driving: Dost:128*64,Duty:1/32,Bias:1/6,VDD:5V,VOUT:9.5V,VO:9.0V
 - 2). Viewing Direction: 6 O'clock
 - 3). Display mode:STN/NEGATIVE (BLUE) /TRANSMISSIVE
 - 4). Operating temp.: -20°C~+70°C
- Storage temp.: -30°C~+80°C

- 5). Controller IC: ST7920
- 6). Backlight: Bottom White
- 7). Dimensions with mark "*" are important, with mark "()" are referenced
- 8). All the raw materials are RoHS compliant

PIN	1	2	3	4	5	6	7	8	9	10
CONNECTION	VSS	VCC	VO	RS	RW	E	DB0	DB1	DB2	DB3
PIN	11	12	13	14	15	16	17	18	19	20
CONNECTION	DB4	DB5	DB6	DB7	PSB	NC	RES	VOUT	BLA	BLK

REV	REVISION RECORD	DATE
A0	First issue	02/25



深圳市三元晶科技有限公司
 ShenZhen TCC LCD Hi-Tech Co., Ltd

MODEL NO. **SYB12864JZKV11** GENERAL TOL: ±0.3

APPROVED BY _____ CHECKED BY _____ DRAWING BY _____

PAGE: 1 OF 1 UNIT: mm
 PROJECTION 三 角 法