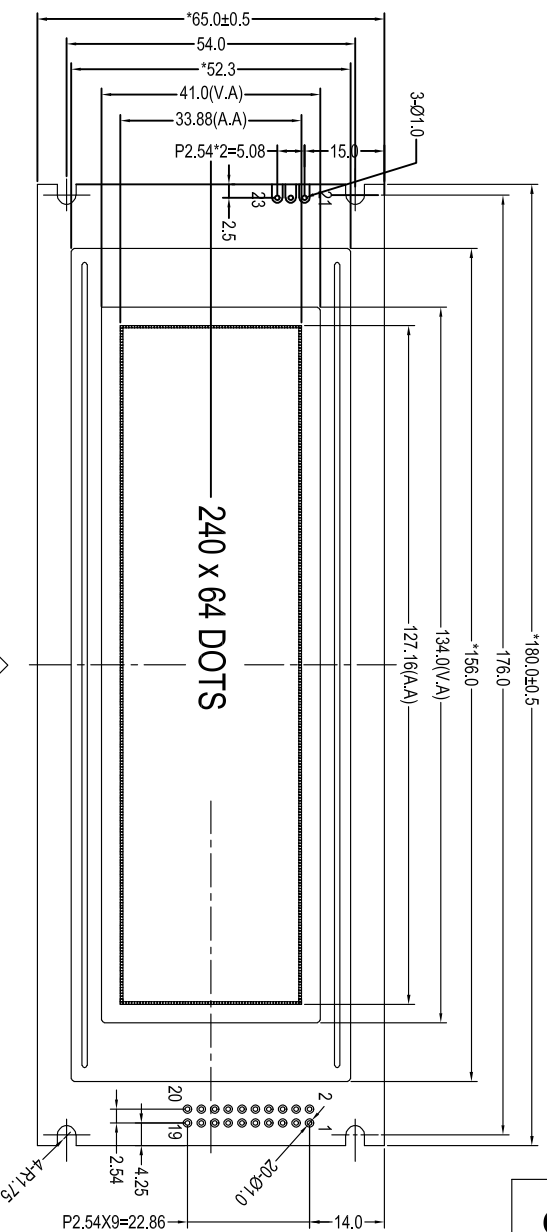
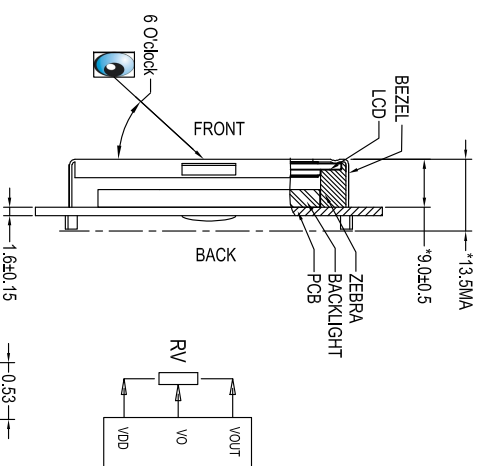


Customer approval:



VIEWING DIRECTION



Specification:

- 1). Driving: Duty:1/64, Bias:1/9, VLCD:12.5V(Ref), VDD:5.0V
- 2). Viewing angle: 6 O'clock
- 3). Display mode:STN/Positive/Transflective/Y-G
- 4). Operating temp.: -20°C~+70°C
Storage temp.: -30°C~+80°C
- 5). Control IC: T6963C(Or Compatible)
- 6). Backlight: EDGE, Y-G
- 7). Dimensions with mark "M" are important, with mark "V" are referenced
- 8). All the raw materials are RoHS compliant

| PIN | 1 | 2 | 3 | 4 | 5 | 6 | 7 | 8 | 9 | 10 | 11 | 12 |
|------------|-----|-----|-----|-----|-----|-----|-----|----------|---------|------|---------|-----|
| CONNECTION | FG | VSS | VDD | V0 | MR | /RD | /CE | C/D | NC(VEE) | /RST | DB0 | DB1 |
| PIN | 13 | 14 | 15 | 16 | 17 | 18 | 19 | 20 | 21 | 22 | 23 | |
| CONNECTION | DB2 | DB3 | DB4 | DB5 | DB6 | DB7 | FS | NC(VOUT) | BLA(5V) | NC | BLK(V0) | |

| REVISION RECORD | REV | REV |
|-----------------|-----|-----|
| First Issue | A0 | |

| | | | |
|-------------------|---------------------------|----------------------|-------|
| MODEL NO. 模组型号 | SYB24064EV10-5CSYL1R-B5WG | GENERAL TOU: 备注公差 | ±0.3 |
| APPROVED BY | | PAGE: 1 OF 1 | |
| CHECKED BY | Francis | UNIT: mm | |
| DRAWING BY | YJQ | PROJECTION | 三 角 法 |
| | 2010/10/21 | | |
| | 2010/10/21 | | |

深圳市三元晶科技有限公司
ShenZhen TCC LCD Hi-Tech Co., Ltd.